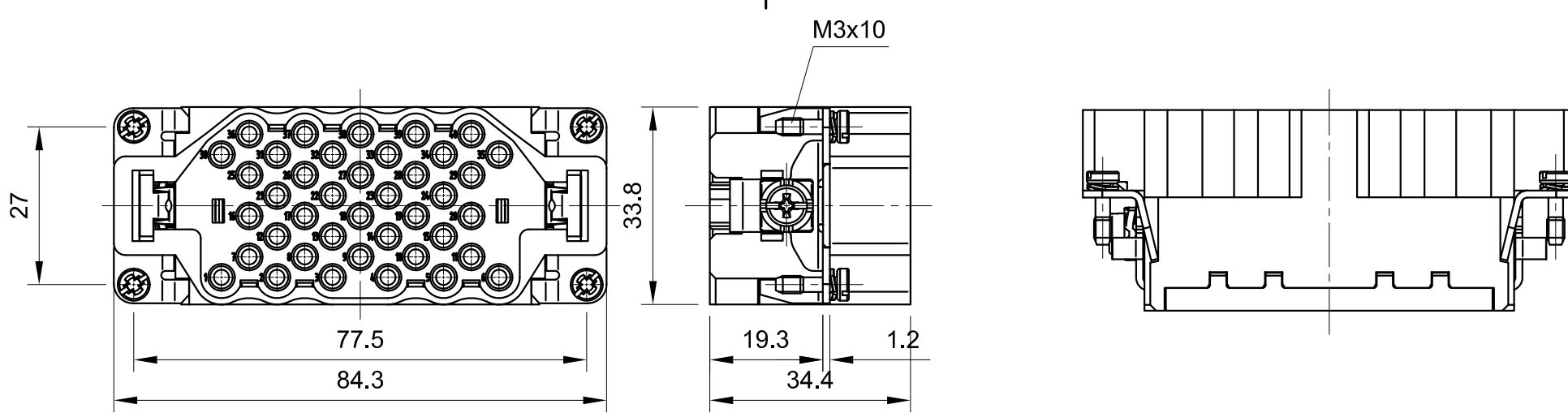


A



A

B

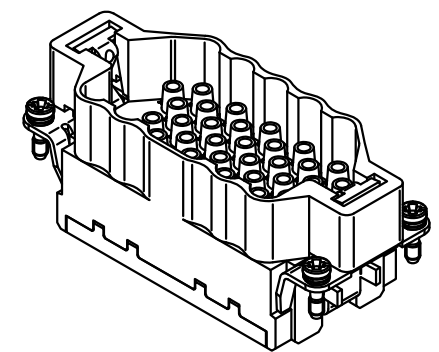
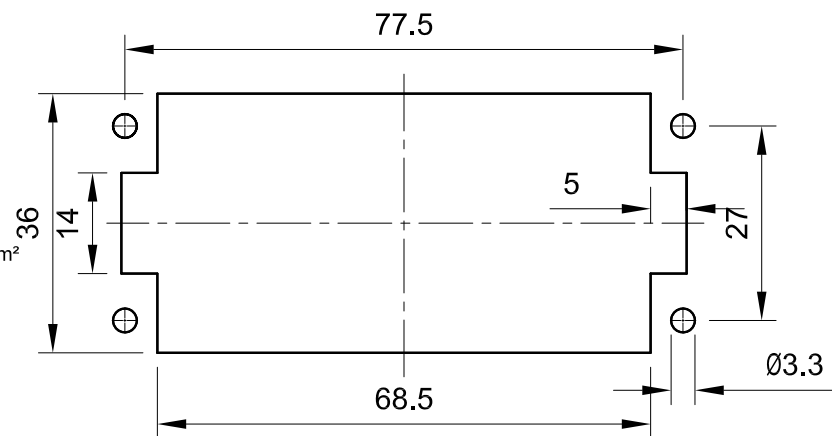
B

Panel cut out
面板开孔尺寸

C

C

- | | |
|---|-------------------------------------|
| Technical data: | 技术数据: |
| - No. of contact: 40 | - 针数: 40 |
| - Termination method: Crimp termination | - 接线方式: 冷压接针 |
| - Gender: Male | - 公母类型: 公头 |
| - Size: B16 | - 尺寸: B16 |
| - Conductor cross-section: 0.14 ... 4 mm ² | - 导体截面积: 0.14 ... 4 mm ² |
| - Rated current: 16A | - 额定电流: 16A |
| - Rated voltage: 500V | - 额定电压: 500V |
| - Rated impulse voltage: 6kV | - 额定脉冲电压: 6kV |
| - Pollution degree: 3 | - 污染等级: 3 |
| - Rated voltage acc.to UL: 600V | - 额定电压符合UL: 600V |
| - Insulation resistance: ≥10 ¹⁰ Ω | - 绝缘阻抗: ≥10 ¹⁰ Ω |
| - Limiting temperature: -40 ... +125°C | - 极限温度: -40 ... +125°C |
| - Material(insert): Polycarbonate | - 材料(插芯): 聚碳酸酯 |
| - Color(insert): RAL 7032(pebble grey) | - 颜色(插芯): RAL 7032 (卵石灰) |
| - Mating cycles: ≥500 | - 插拔次数: ≥500 |
| - Material flammability class acc. to UL94: V-0 | - 材料阻燃性等级符合UL94: V-0 |
| - RoHS: Compliant | - RoHS: 符合豁免标准 |
| - Specifications: IEC61984, EN60664-1 | - 规格: IEC61984, EN60664-1 |



D

D

<p>InKonn® InKonn (Suzhou) Electric Technology Co.,Ltd.</p>	<p>All Dimensions in mm Original Size DIN A4</p>	<p>Date 2019-12-15</p>	<p>Drawing No. TC0329127</p>	<p>Rev. A00</p>	<p>Scale 1:1</p>
	<p>Part No. 10 32 040 2100</p> <p>Type Name IEEE-040-CM</p>	<p>Created by Shuxu Huang</p>	<p>Checked by Yiyi Luo</p>	<p>Page 1/1</p>	